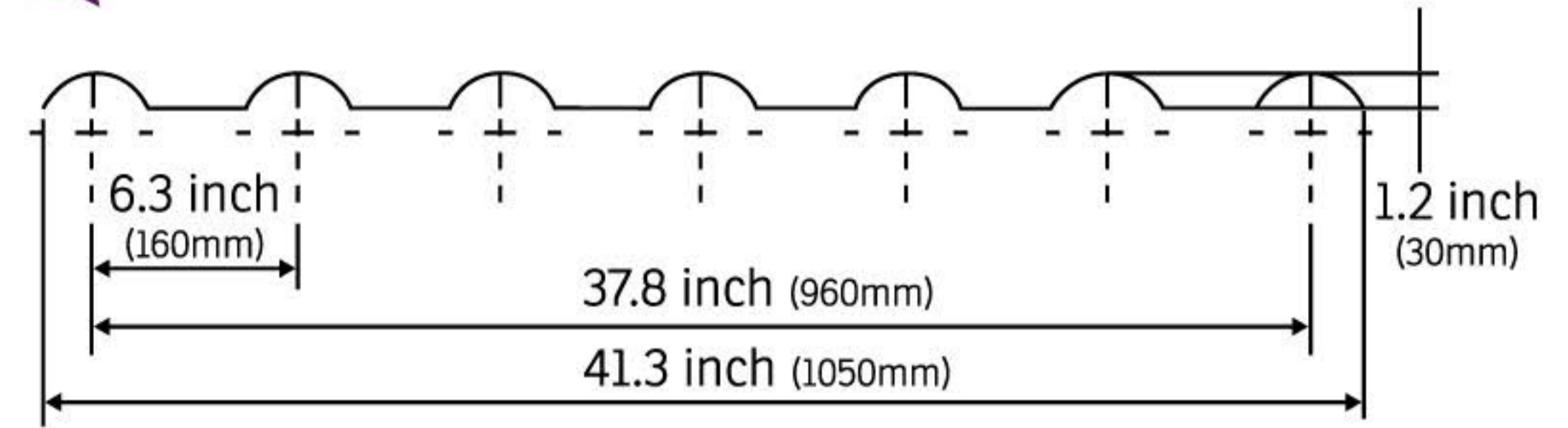
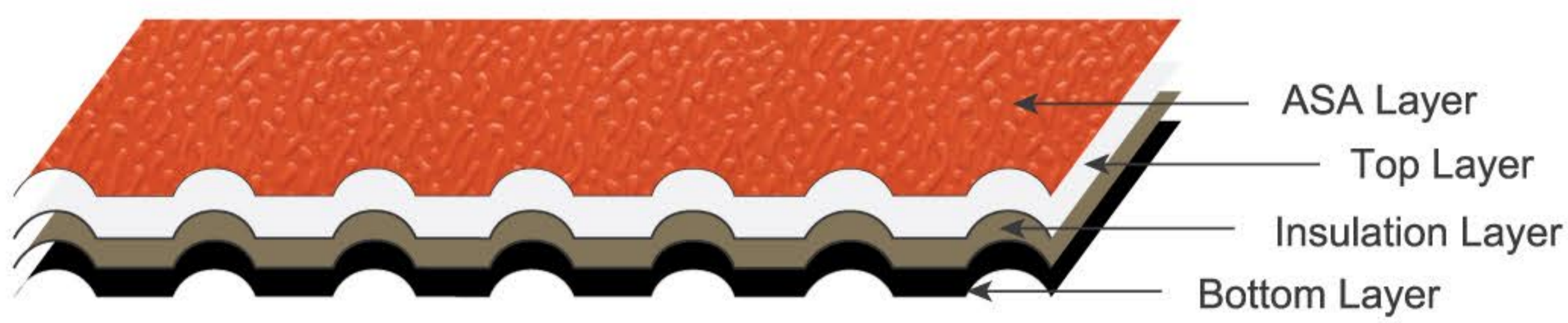




## LROOF Layers



## LROOF Advantages



Fire Retardant



Durable



Water Resistant



Any Climate Tolerant



No Cancer Effect



Lower Heat Levels



Strong



Sound Insulation



Hygienic



Moss Resistant



Easy To Fix



Light Weight



No Color Fading



Anti Corrosion



Eco Friendly



Made in Sri Lanka

## LROOF Accessories



Top Ridge Cover



LROOF Tiles



Three-Way Ridge



End of Ridge



Wall Flashing Board



Hip Ridge



Side Cover



Sealing Eaves Tile



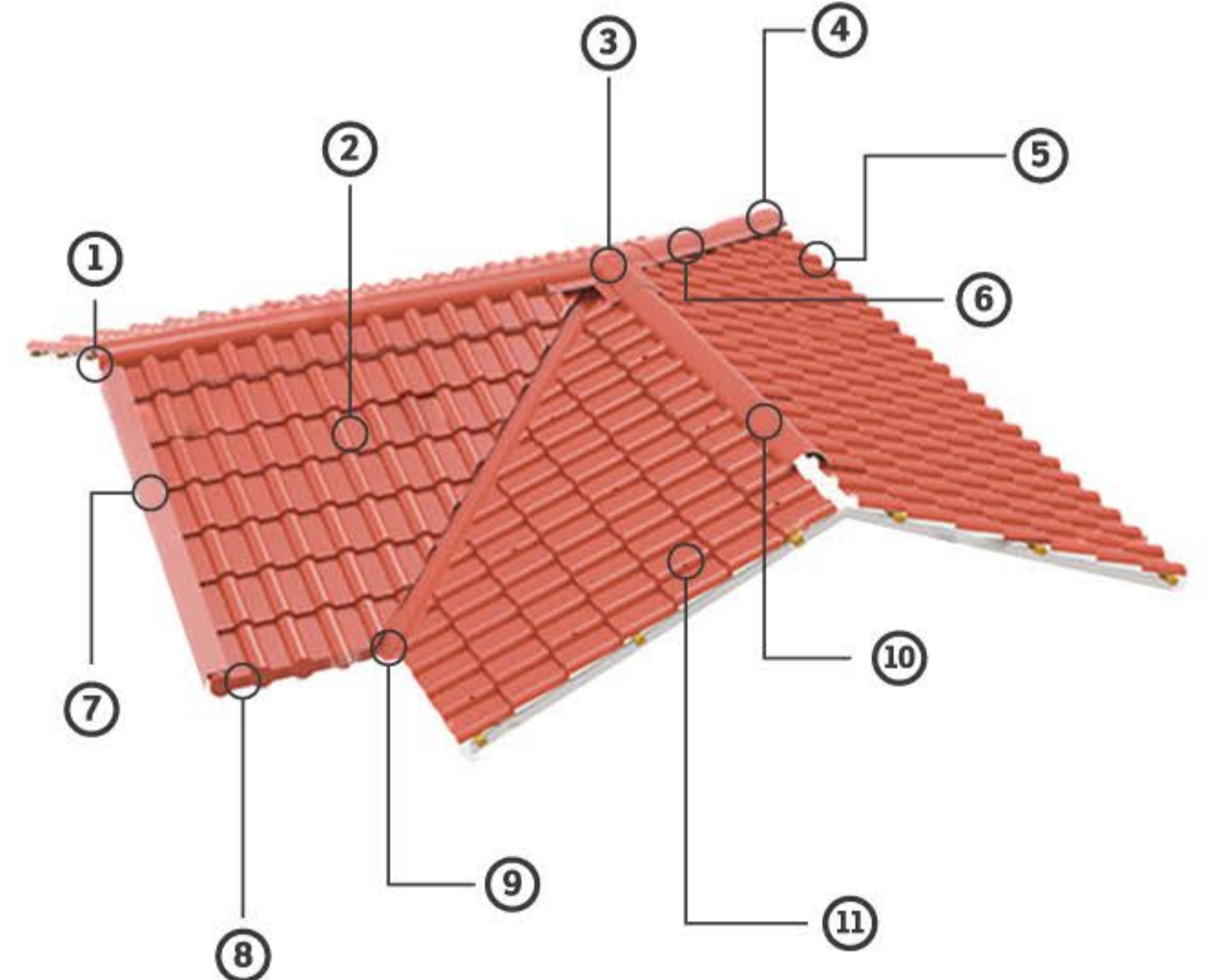
Inside Corner Deflector



Top Ridge Tile



Waterproof Screw

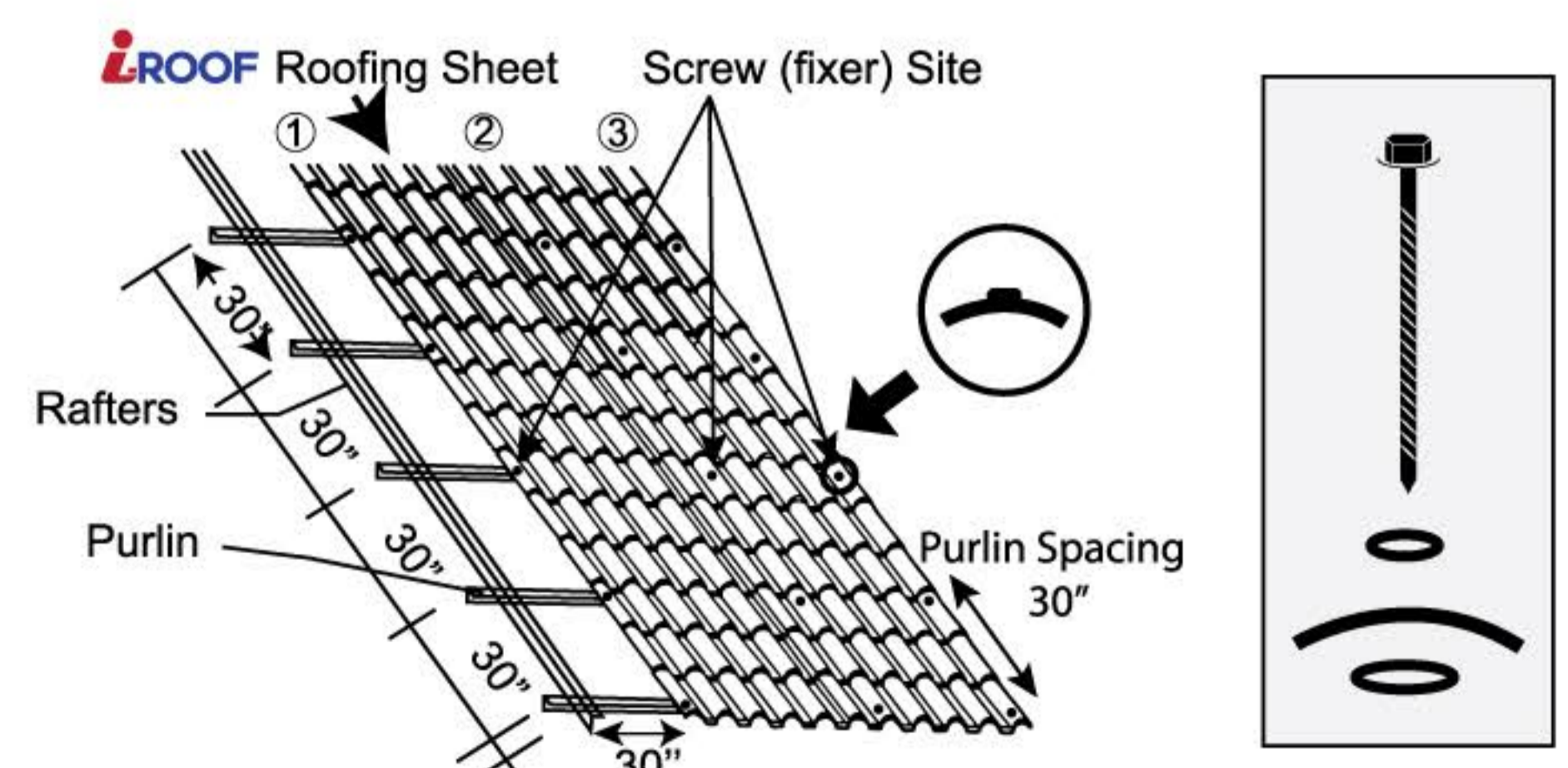


## LROOF Technical Data

### LROOF Sizes

No.	No of tile for the length	Length (Ft)	Length (m)	Length (in)
01	8	5'9"	1.75	69.0
02	11	7'11"	2.41	94.8
03	14	10'1"	3.07	120.7
04	17	12'3"	3.72	146.6
05	19	13'8"	4.16	163.8
06	21	15'1"	4.60	181.1
07	23	16'6"	5.04	198.3
08	25	18'0"	5.48	215.6
09	27	19'5"	5.91	232.8
10	29	20'10"	6.35	250.0

## LROOF Technical Specification

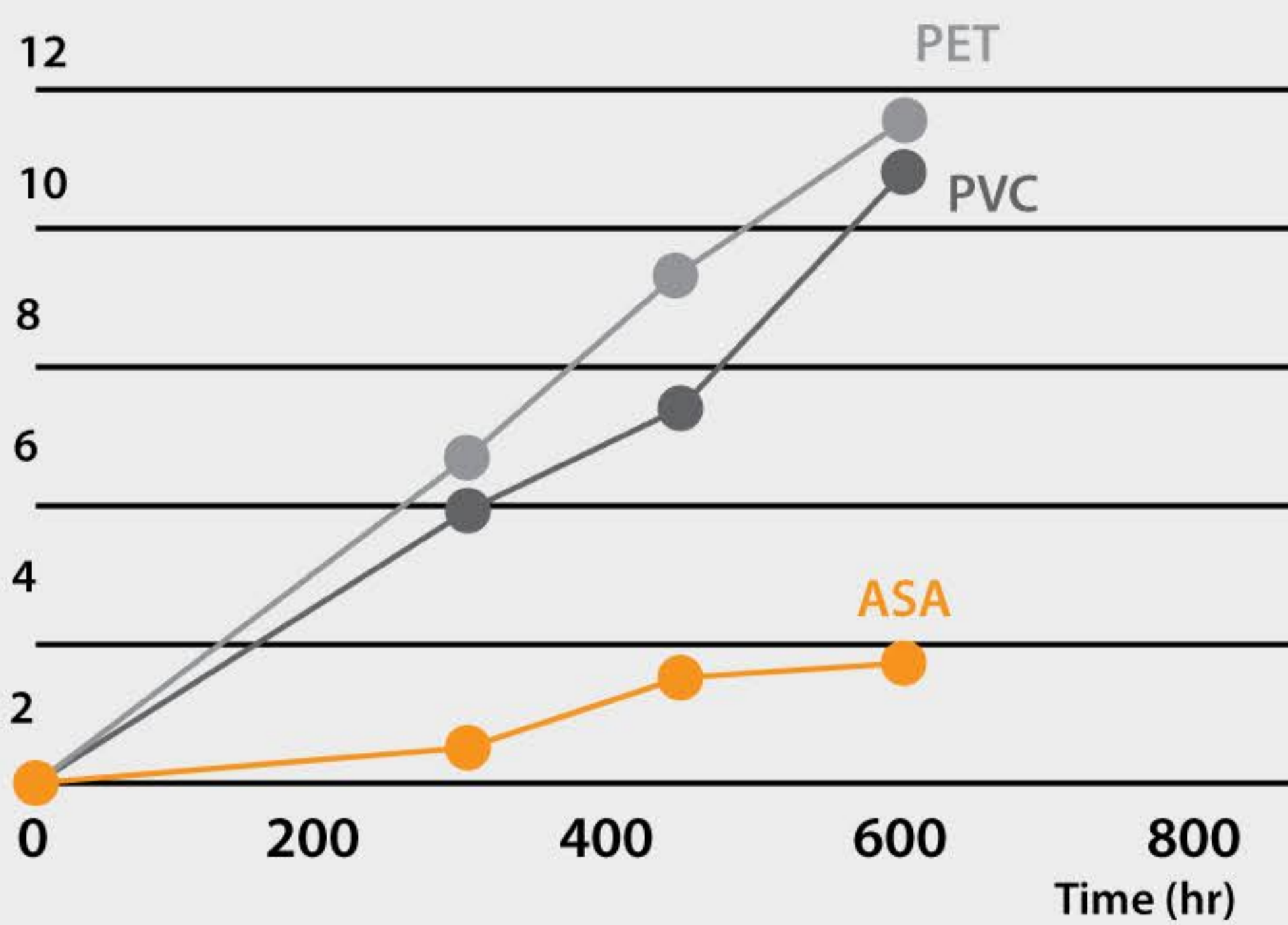


Thickness	2.8±0.1mm
Full Width	3 feet 5 inches
Covering Width	3 feet 1.5 inches
Gap between purlin	30 inches
Gap between rafters	30 inches
Weight	480g / sqft
Minimum Angle	10°

## ● Technical Data

### • Comparison of Weatherability

De • Test condition : UV-A, 340nm, 0.77W/m<sup>2</sup>:60°C



### • i-ROOF Comparison with other roofing product

	Asbestos	Zinc Aluminium	Clay Tile	i-ROOF
Fire Retardant	△	○	○	⊙
Eco Friendly	×	△	○	⊙
Colour Fading	△	△	△	⊙
Strength	○	○	○	⊙
Corrison	⊙	○	⊙	⊙
Moss Resistant	△	○	△	⊙
Light Weight	△	⊙	△	⊙
Water Absorption	△	⊙	△	⊙
Cancer Effect	×	⊙	⊙	⊙
Lower Heat Levels	△	×	⊙	⊙
Sound Insulation	○	×	⊙	⊙
Easy To Fix	○	○	×	⊙

⊙Best ○Good △Bad ×Worst

## i-ROOF Test Report

ITI Test Report No: CTS 1704227

### TEST RESULT AND CONCLUSION

Test parameter		Result	Specification	
Material		Acrylic styrene acrylonitrile (ASA) and Polyvinyle chloride (PVC)	FTIR-ATR method	
Relative density		1.65	Test temperature : 23±2 °C	
Water absorption		0.3%	Test temperature : 23±2 °C	
Flexural strength		55Mpa	Rate of crosshead motion: 1 mm/min Test temperature: 23±2 °C	
Corrosion resistance	Acid	No damages or staining	Test solution : 23±2 °C	
	Base	No damages or staining	Test solution : 30g/L KOH	
Anti -flaming	Horizontal	Burning extinguished once the flame was remove from test sample.	HB class as per UL 94-2001	
	vertical	After -flame time after first flame application, t1	0 s	V-0 class as per UL 94 - 2001
		After -flame time after second flame application, t2	2 s	
		After -glow time after second flame application, t3	6 s	
		whether specimens burn up to the holding clamp.	No	
whether specimens drip flaming particles that ignited cotton indicator.	No			

## i-ROOF Test Report



Available at:

**කියෝ**  
**කවිලා**  
ISLAND-WIDE  
400 SHOWROOMS

Showroom



Idea Industries Limited.  
No. 06, Lucas Road, Colombo 14.  
E-mail: info@ideagroup.lk  
Tel: 011 252 77 77 | Fax: 011 252 77 37  
www.iroof.lk

Hot Line :  
**07 2200 2200**